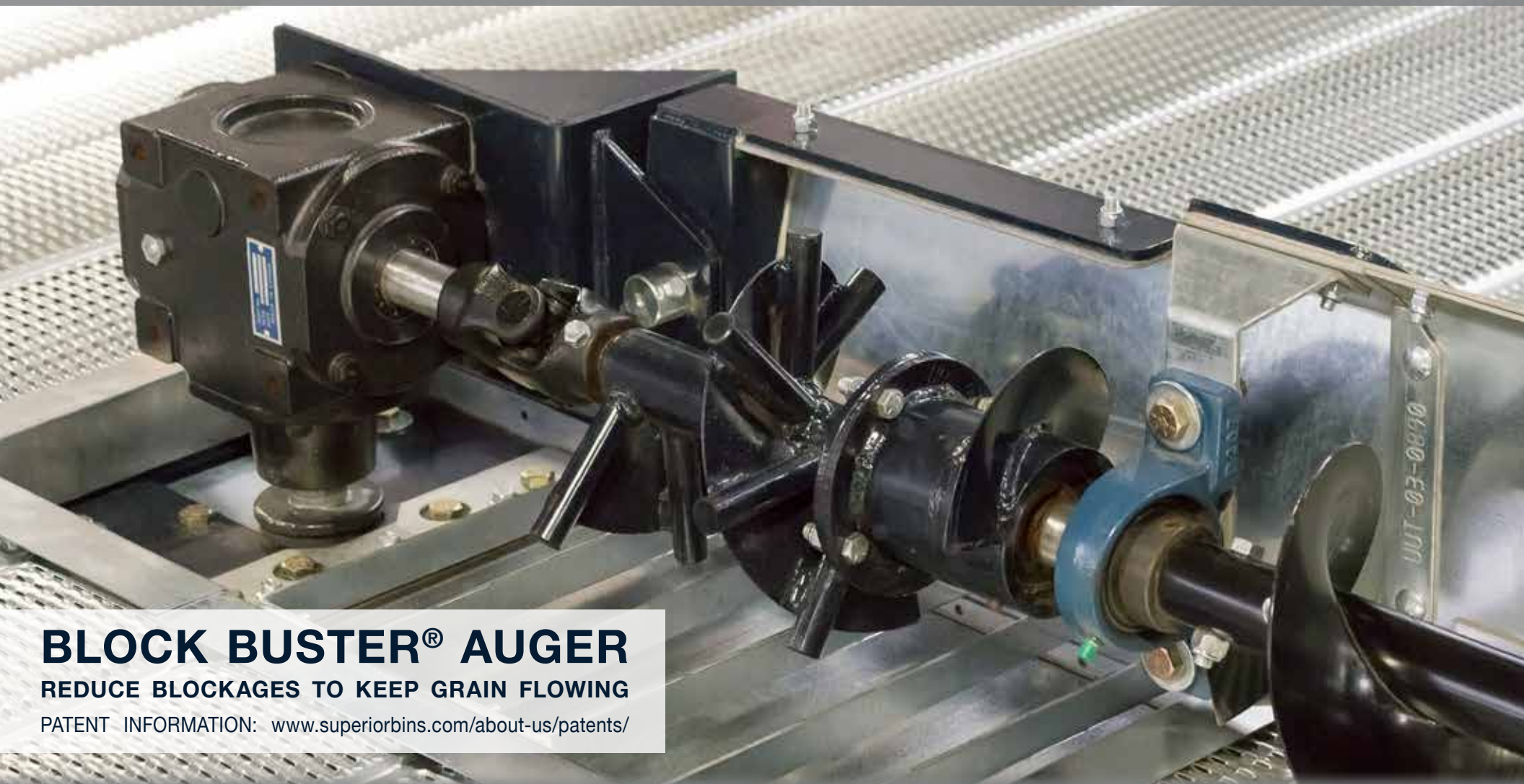


UNLOADING SYSTEMS



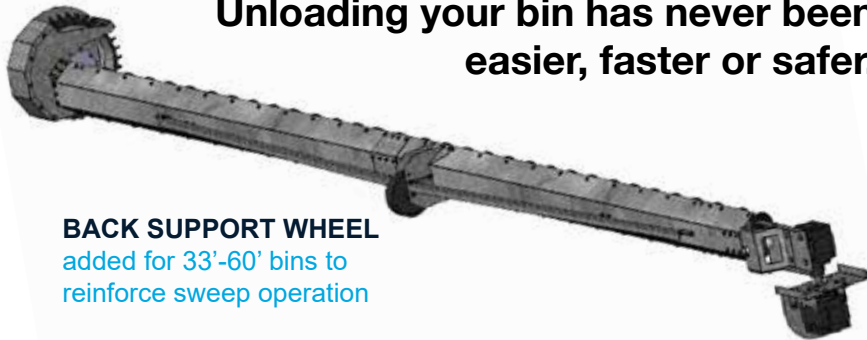
BLOCK BUSTER® AUGER

REDUCE BLOCKAGES TO KEEP GRAIN FLOWING

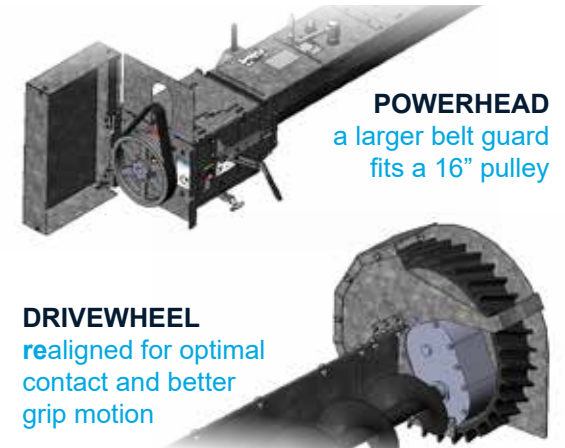
PATENT INFORMATION: www.superiorbins.com/about-us/patents/

Superior S-series Unloading System

Unloading your bin has never been easier, faster or safer.



BACK SUPPORT WHEEL
added for 33'-60' bins to reinforce sweep operation



POWERHEAD
a larger belt guard fits a 16" pulley

DRIVEWHEEL
realigned for optimal contact and better grip motion

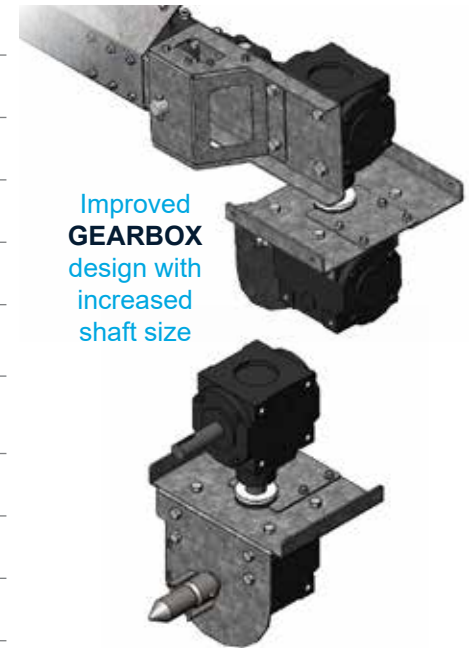
A permanently installed U-trough and sweep, with all controls outside the bin, provide superior unloading capacity. With more space than a round tube, the U-trough allows the grain to move en masse over the auger.

The NEW Superior S-series Unload features an 11-inch U-trough and is compatible with bin sizes of 18' - 60' diameters.

This innovative design includes a back support wheel (added for bins 33'-60') and various engineering upgrades to help improve performance and maximize grain flow. A larger gearbox shaft, updated Block Buster® auger, and the ability to add accessories makes unloading your bin easier, faster and safer than ever before.

11" S-SERIES

| | |
|--|------------------------------|
| Bin Sizes | 18' - 60' |
| Unload Capacity | 6,000 BPH |
| Auger | 8-inch |
| Rack & Pinion Controls | Standard |
| Gearbox Assembly | Single-Shaft |
| Power Head | Multiple Support Motor Mount |
| Independent Double Length Center Sump | Standard |
| Block Buster | Available |
| Incline Auger | Available |
| Extension Kit & Leg | Available |



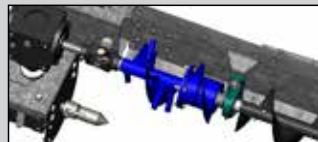
Improved **GEARBOX** design with increased shaft size

Superior's Patented Block Buster® Auger

Our patented Block Buster® is a specially designed auger positioned over the center gate to reduce blockages and keep your grain flowing.

A reversing gearbox and centrifugal clutch system allows the Block Buster® to spin freely on its own in one direction and drive the sweep auger and wheel in the other direction.

Operated from outside the bin, it eliminates the need to enter the bin to clear blockages.



PATENT INFORMATION: www.superiorbins.com/about-us/patents/

Kindred, North Dakota USA
N. America: 866.822.9145
International: +1.701.428.3853
www.superiorbins.com

